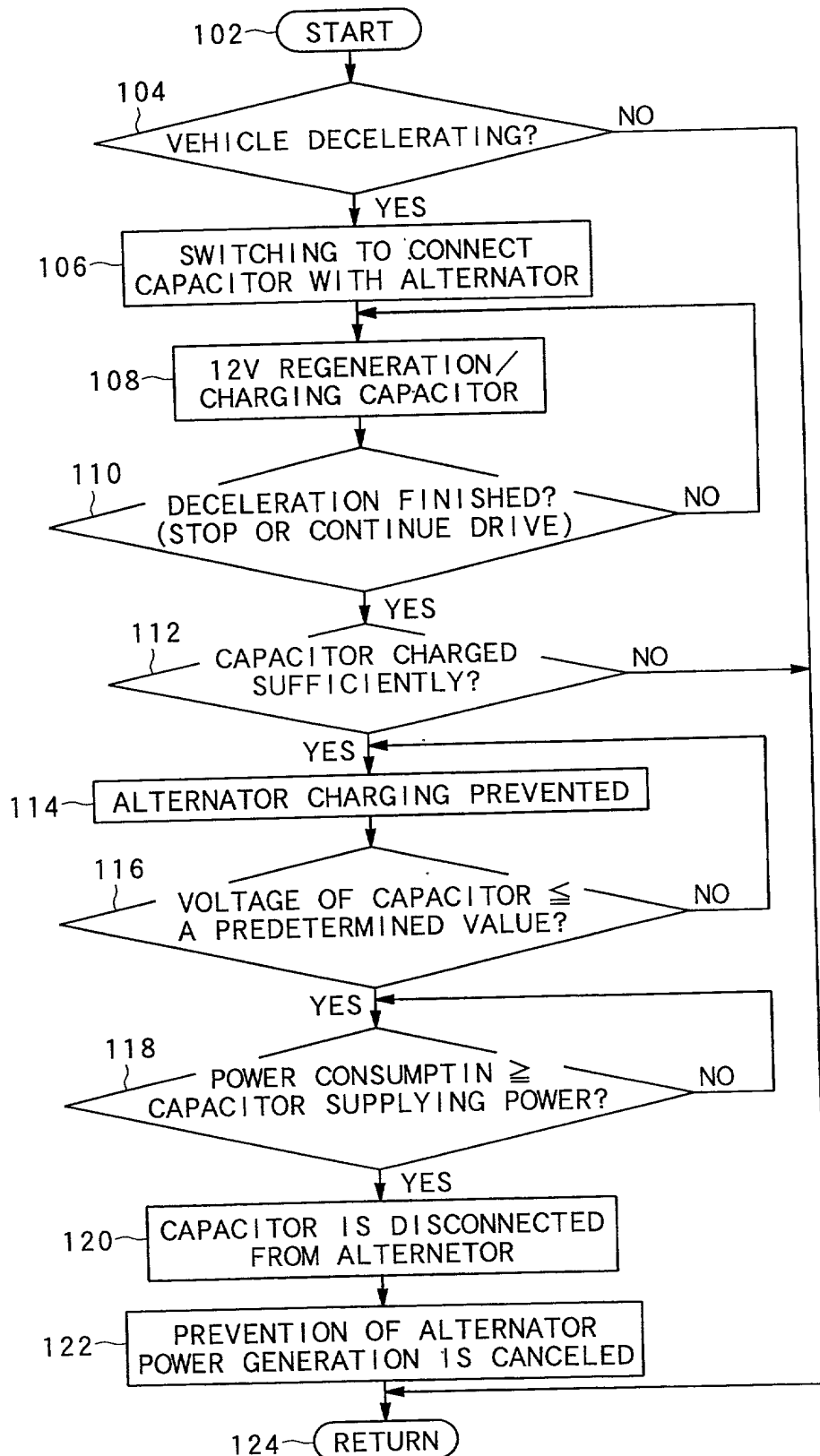


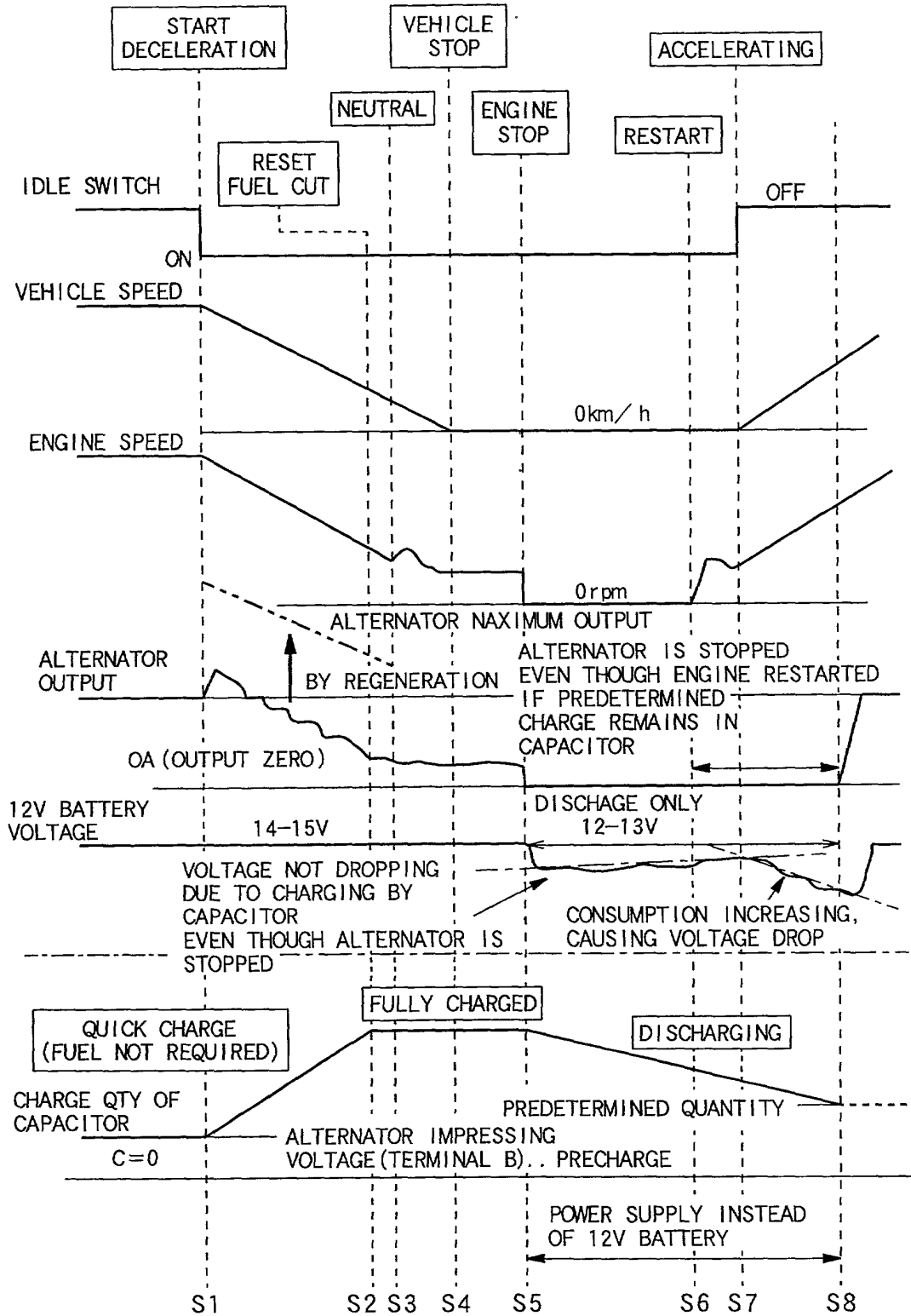
FIG. 1



20250307 09:44:07

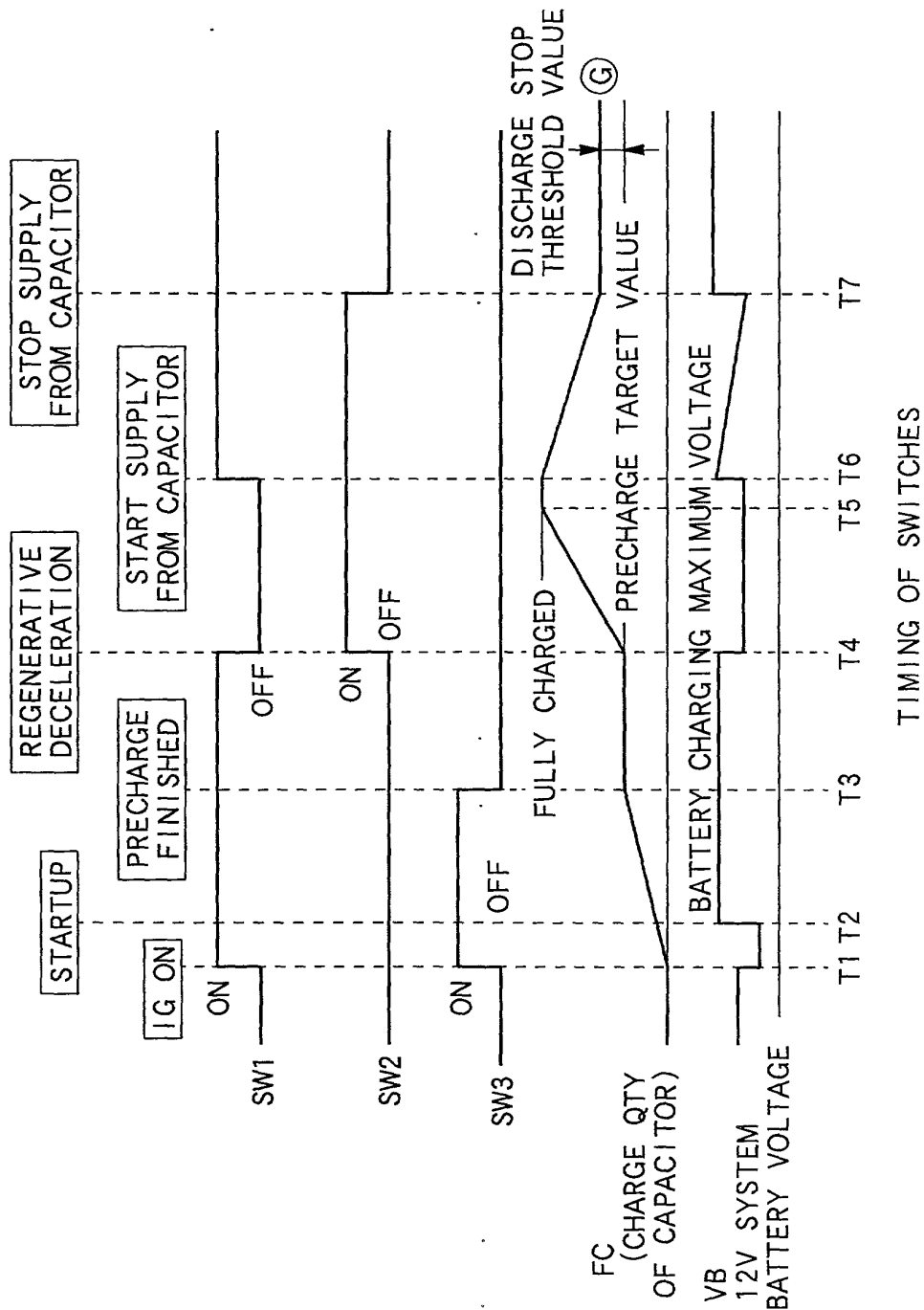
# FIG.2

## OPERATION OF 12V REGENERATION AND CAPACITOR



20020724007

FIG. 3



TIMING OF SWITCHES

FIG.4

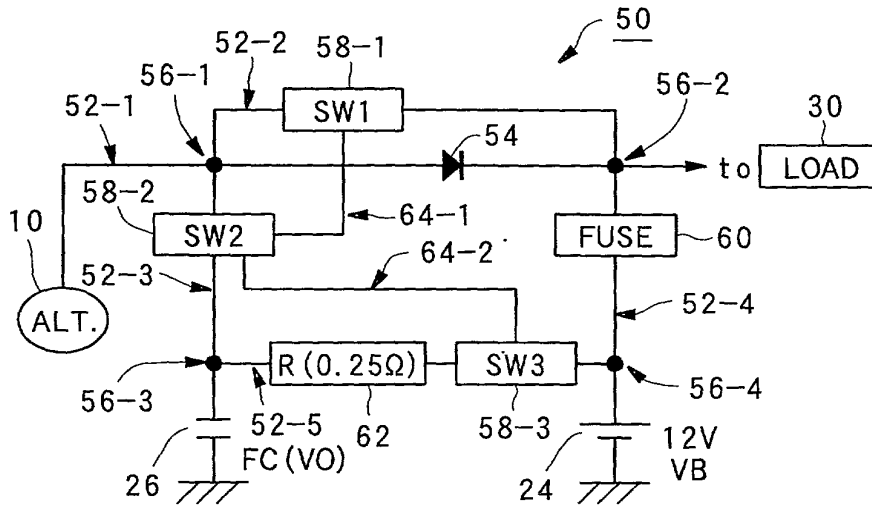


FIG.5

INTERLOCKS OF SW1, SW2, SW3

IF SW1:ON (OFF), THEN SW2:OFF (ON)  
 IF SW3:ON, THEN SW2:OFF

	SW1	SW2	SW3
IN PRECHARGING	ON	OFF	ON
IN NORMAL OPERATION	ON	OFF	OFF
IN REGENERATING OR WHEN POWER CAN BE SUPPLIED FROM CAPACITOR	OFF	ON	OFF

2025 RELEASE UNDER E.O. 14176

FIG. 6

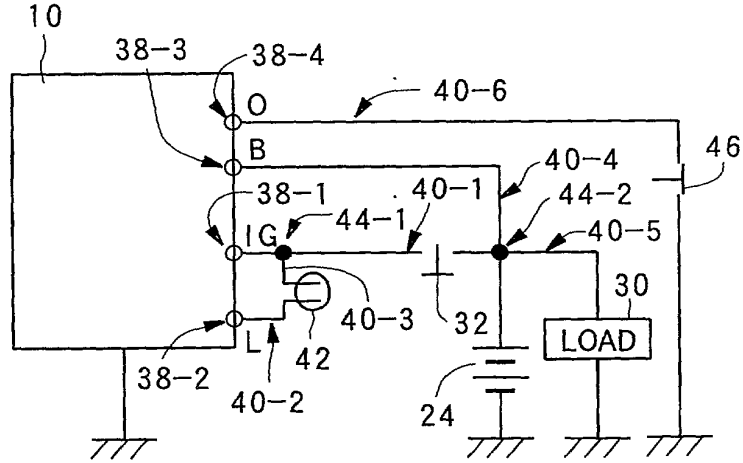
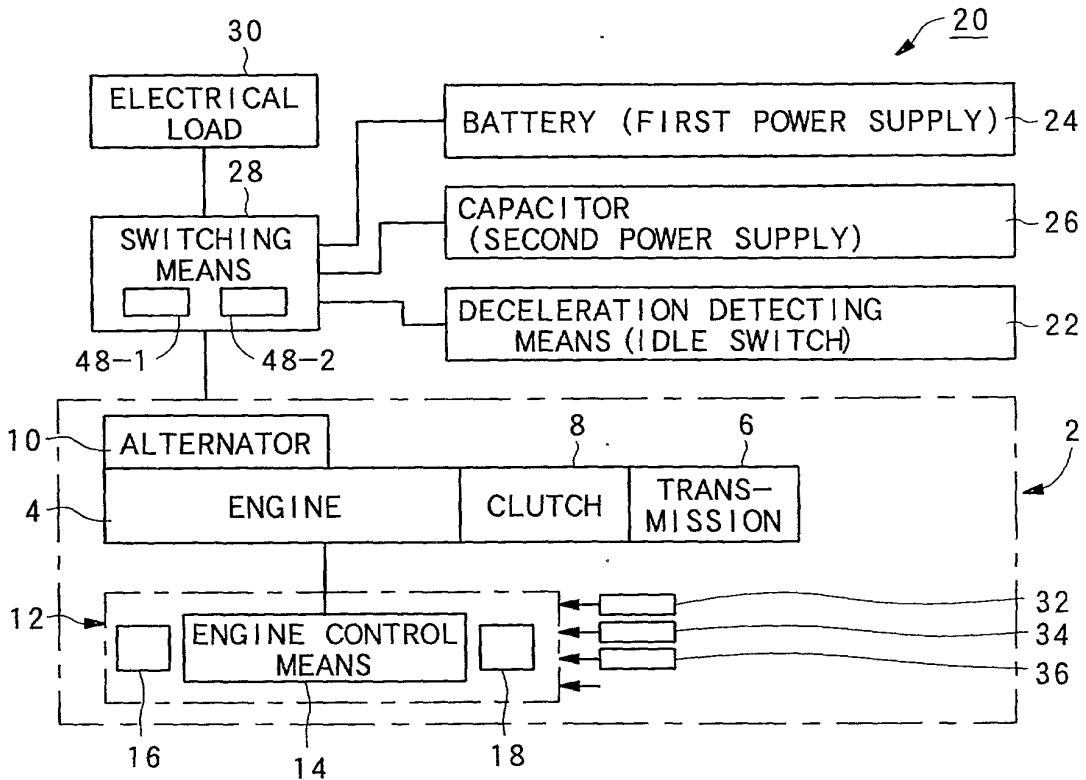


FIG. 7



2025 RELEASE UNDER E.O. 14176

FIG.8

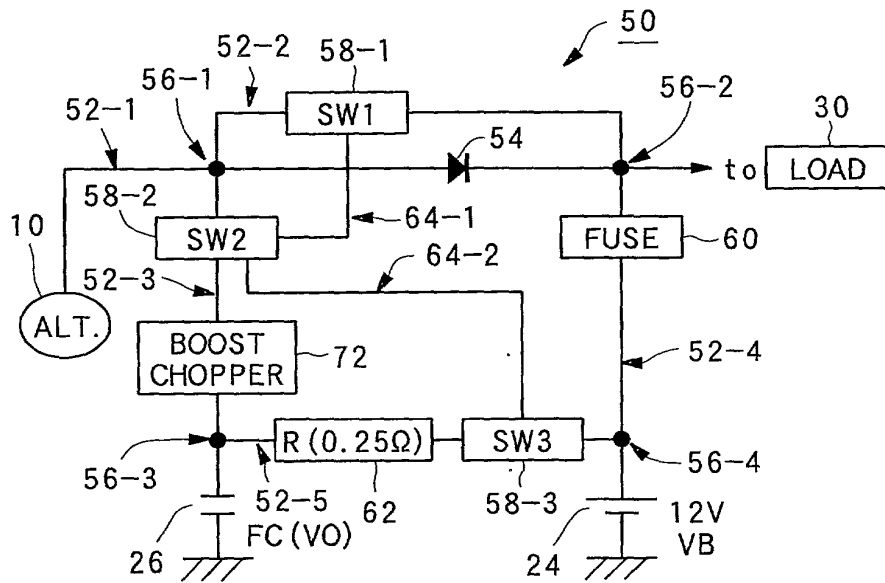


FIG.9

INTERLOCKS OF SW1, SW2, SW3

IF SW1:ON (OFF), THEN SW2:OFF (ON)  
 IF SW3:ON, THEN SW2:OFF

	SW1	SW2	SW3
IN PRECHARGING	ON	OFF	ON
IN NORMAL OPERATION	ON	OFF	OFF
IN REGENERATING OR WHEN POWER CAN BE SUPPLIED FROM CAPACITOR	OFF	ON	OFF

"SAIGOH" SHEET

20000000

FIG.10

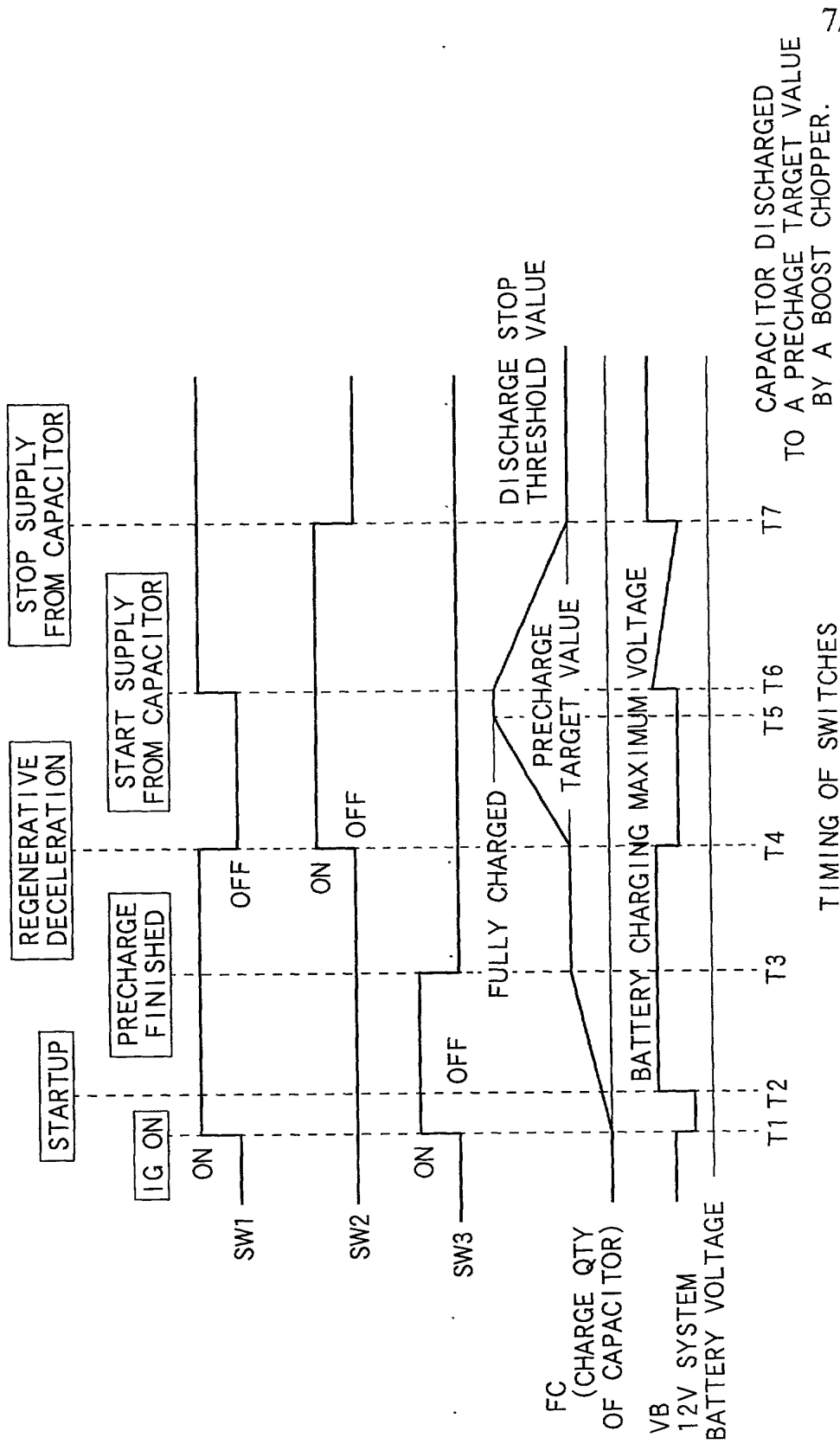
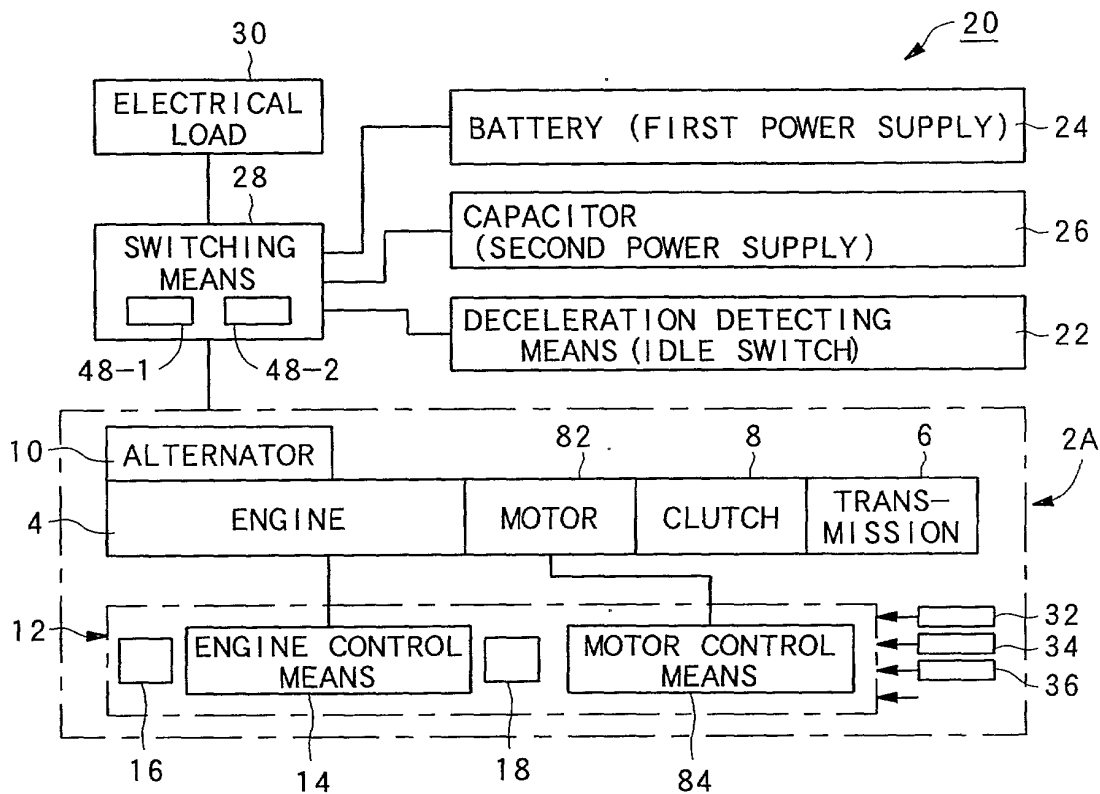


FIG.11



2000 sheet